


TREK



*Sport
Bicycles*

400

Trek's lightweight sport bike features an advanced T-1™ double-butted chrome-moly frame with investment-cast frame components, a crankset that can easily be modified to bring the CRC 12-speed drivetrain up to 18 speeds, and a pair of Rigida heat-treated aluminum wheels. The heat-treating process increases rim hardness, resulting in a superior strength-to-weight ratio and quicker response.



Advanced investment-cast lugs are Trek's own design.



410

New for 1985, the 410 combines an innovative Trek-built sport-performance frame with the foremost name in bicycle componentry, Campagnolo of Italy. Campy's new Triomphe drivetrain gruppo includes a cold-forged 52/40 crankset, fast and accurate "Corsa" derailleurs, and friction-control shift levers — all with that famous Campagnolo "feel." The perfect combination for the fast recreational rider or triathlete.



The efficient 410 drivetrain: Campagnolo's newest Triomphe.



420

A Sport Touring bicycle designed for fast day tripping, weekend jaunts, or commuting. In harmony with the responsive Trek-built frame is a Maillard Helicomatic 700SH freewheel, featuring special-profile teeth for smoother shifts. Shimano's Z-Series derailleurs, with brass bushings for quick action to help you shift all 15 speeds with ease. Blackburn's sturdy anodized rack bolted onto the rear braze-ons. And a comfortable anatomically-designed saddle.



Shimano Z-series derailleurs for precise shifts over all 15 speeds.

500

After crafting this Reynolds 501 frame with investment-castings, it was only fitting it be equipped with the most advanced components Japan has to offer. Like SR's AXC-100 aerodynamic crankset, SunTour's New Cyclone derailleurs with matched freewheel, and Dia-Compe's superlative Royal Compe 400 short-reach brakes. The performance of this ultra lightweight sport bike even reaches right down to the hubs — the Sansin Gyromasters have precision-ground low-friction races, as well as an attractive mirror-like finish.



Precision Royal Compe 400 silver brakes with hooded levers.

510

A sport bicycle of classic proportions. A superior Trek-built Reynolds frame is equipped with a complete Campagnolo gruppo. The new Campy Triomphe design features clean aerodynamic styling with traditionally-superior performance. Add plenty of efficient braze-ons like shift-lever bosses, double bottle mounts, and head-tube pump peg and you've got American innovation with an Italian accent.



Investment-cast bottom-bracket with low-friction cable routing.

520

Sport Touring at its highest level, matching our unparalleled investment-cast frame technology with equipment that's just as precise. Like the Shimano N600 group, featuring cold-forged triple cranks mated to a sealed bottom-bracket that repels water and grit. A Maillard Helicomatic 700 Series quick-change freewheel. And to top off this machine, there's an anatomically designed saddle to maximize your touring comfort.



Helicomatic hub/freewheel allows quick changes in seconds.



Trek's top-of-the-line Sport Performance machine, the model 600 builds on an investment-cast frame featuring Reynolds renowned 531 CS double-buttet tubing. Then it's complemented with a precision grey-anodized Shimano N600 component group. A color-coordinated Concor saddle. And a pair of Matrix Titan rims and Gyromaster hubs that have been laced with DT stainless spokes, then pre-stressed for lightweight dependability.



Dual-hardness Tri-Sport tires mounted on Matrix Titan hard coat rims.

FRAME GEOMETRY FOR MODELS 400, 410, 420, 510, 520

	A	B	C	D	E	F	G	H
FRAME SIZE	SEAT TUBE length	SEAT TUBE angle	HEAD TUBE angle	TOP TUBE length	CHAIN STAY length	FORK OFFSET	DROP	WHEEL BASE
19"	47.5	73.5°	72.0°	53.6	42.5	4.5	7.2	99.4
21"	52.1	73.5°	72.0°	55.0	42.5	4.5	7.2	101.1
22.5"	55.9	73.5°	73.0°	56.0	42.5	4.5	7.2	102.0
24"	59.6	73.5°	73.0°	57.5	42.5	4.5	7.2	103.4
25.5"	63.5	73.5°	73.0°	58.5	42.5	4.5	7.2	105.0

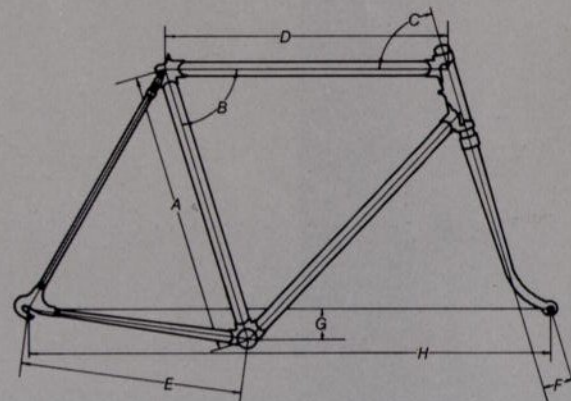
FRAME GEOMETRY FOR MODEL 500

19"	47.5	73.5°	72.0°	53.6	42.5	3.8	7.2	98.7
21"	52.1	73.5°	72.0°	55.0	42.5	3.8	7.2	100.4
22.5"	55.9	73.5°	73.0°	56.0	42.5	3.8	7.2	101.3
24"	59.6	73.5°	73.0°	57.5	42.5	3.8	7.2	102.7
25.5"	63.5	73.5°	73.0°	58.5	42.5	3.8	7.2	104.3

FRAME GEOMETRY FOR MODEL 600

19"	47.5	73.5°	72.0°	53.6	42.5	3.8	7.2	98.7
21"	52.1	73.5°	72.0°	55.0	42.5	3.8	7.2	100.4
22.5"	55.9	73.5°	73.0°	56.0	42.5	3.8	7.2	101.3
24"	59.6	73.5°	73.0°	57.5	42.5	3.8	7.2	102.7
25.5"	63.5	73.5°	73.0°	58.5	42.5	3.8	7.2	104.3

All dimensions are in centimeters, unless otherwise stated.



SPORT SPECIFICATIONS**400****FRAME:**

Main Tubes: True Temper Chromoly Double Butted
Fork: Tange Hi-Tensile
Stays: True Temper Chromoly

Headset: Trek Std. Blk.
B.B. Shell: Nikko
Headlug: Trek One-Piece Cast
Seat Lug: Trek Invest. Cast
Drop-Outs: Forged w/Adjustors
Special Braze-ons: Top Tube Cable Guides, Top Tube Pump Peg, Dual Water Bottle Mounts, Chain Hanger

Frame Sizes: 19" 21" 22.5" 24" 25.5"
Colors: Race Blue, Scarlet
COMPONENTS:
Crank: SR CRC-T-301 Forged Alloy 52/40
Derailleurs: Shimano Z-204 Front, Shimano Z-505 Rear
Shift Levers: Shimano Z-401
Freewheel: Atom 77 13-28 6-spd. Silver

Chain: Sedisport
Brakes: Dia Compe Q500N w/Hooded Levers
Pedals: SR 154 Alloy Quill
Bar: Belleri Std. Alloy
Stem: SR AH Alloy
Hubs: Atom Std. Alloy Q/R
Rims: Rigida 13-20 27x 1-1/4" Alloy

Tires: Trek 27x 1-1/8"
Seat Post: SR P5-E Laprade Type Forged Alloy
Saddle: Italian Leather Sport
Extras: Lapize Toe Clips & Straps

410**FRAME:**

Main Tubes: True Temper Chromoly Double Butted
Fork: Tange Hi-Tensile
Stays: True Temper Chromoly

Headset: Trek Std. Blk.
B.B. Shell: Nikko
Headlug: Trek One-Piece Cast
Seat Lug: Trek Invest. Cast
Drop-Outs: Forged w/Adjustors
Special Braze-ons: Top Tube Cable Guides, Top Tube Pump Peg, Dual Water Bottle Mounts, Chain Hanger
Frame Sizes: 19" 21" 22.5" 24" 25.5"

Colors: Race Blue, Scarlet
COMPONENTS:
Crank: Campagnolo Triomphe Forged Alloy 52/40
Derailleurs: Campagnolo Triomphe Corsa
Shift Levers: Campagnolo Triomphe
Freewheel: Atom 77 13-24 6-spd. Silver
Chain: Sedisport

Brakes: Dia Compe QS 500N w/Recess and Hooded Levers
Pedals: SR 150SE Alloy Quill
Bar: Belleri Std. Alloy
Stem: SR CT Aero Alloy
Hubs: Atom Std. Silver Q/R Alloy
Rims: Rigida 13-20 27x 1-1/4" Alloy
Tires: Trek 27x 1-1/8"

Seat Post: SR P5-E Laprade Type Forged Alloy
Saddle: San Marco Sport Leather
Extras: Lapize Toe Clips & Straps

500**FRAME:**

Main Tubes: Reynolds 501 Double Butted
Fork: Tange Mangalloy w/CCL Crown

Stays: True Temper Chromoly
Headset: Trek Pro Blk.
B.B. Shell: Trek Cast w/Cable Guides
Headlug: Trek One-Piece Cast
Seat Lug: Trek Invest. Cast
Drop-Outs: Trek Cast w/Adjustors
Special Braze-ons: Top Tube Cable Guides, Top Tube Pump Peg, Dual Water Bottle Mounts, Chain Hanger, Shift Lever Bosses

Frame Sizes: 19" 21" 22.5" 24" 25.5"
Color: Beaujolais
COMPONENTS:
Crank: SR AXC-100 Forged Alloy 52/42
Derailleurs: SunTour New Cyclone-S
Shift Levers: SunTour New Cyclone-S Braze-on

Freewheel: SunTour PN 6000 6-spd. Silver 14-28
Chain: Sedisport Silver
Brakes: Dia Compe Royal Compe 400 w/Hooded Levers
Pedals: SR SP-150SE Alloy
Bar: Belleri Engraved Alloy
Stem: SR CT Aero Alloy
Hubs: Sasansin Gyro-Master Alloy Q/R

Rims: Rigida 13-20 700C Alloy Blk. Anodized
Tires: Trek 700x25c
Seat Post: Sugino SP-KC Forged Alloy
Saddle: San Marco Lazer Leather
Extras: Lapize Toe Clips and Straps

510**FRAME:**

Main Tubes: Reynolds 501 Cromalloy Double Butted
Fork: Tange Mangalloy w/CCL Crown

Stays: True Temper Chromoly
Headset: Campagnolo Triomphe
B.B. Shell: Trek Cast w/Cable Guides
Headlug: Trek One-Piece Cast
Seat Lug: Trek Invest. Cast
Drop-Outs: Trek Cast w/Adjustors
Special Braze-ons: Top Tube Cable Guides, Dual Water Bottle Mounts, Chain Hanger, Shift Lever Bosses

Frame Sizes: 19" 21" 22.5" 24" 25.5"
Color: Black
COMPONENTS:
Crank: Campagnolo Triomphe Forged Alloy 52/40
Derailleurs: Campagnolo Triomphe Corsa
Shift Levers: Campagnolo Triomphe Braze-on

Freewheel: SunTour PS 6000 13-24 6-spd. Silver
Chain: Sedisport Silver
Brakes: Campagnolo Triomphe w/Hooded Levers
Pedals: Campagnolo Triomphe Alloy
Bar: Belleri Engraved Alloy
Stem: SR CT Aero Alloy

Hubs: Campagnolo Triomphe Q/R Alloy
Rims: Rigida 13-20 700C Alloy
Tires: Trek 700x25c
Seat Post: Campagnolo Triomphe Aero Forged Alloy
Saddle: San Marco Leather Sport
Extras: Campagnolo Triomphe Toe Clips and Straps, Alloy Water Bottle Cage w/Bottle

600**FRAME:**

Main Tubes: Reynolds 531CS Double Butted
Fork: Reynolds 531CS w/Aero Crown

Stays: Reynolds 531CS
Headset: Stronglight A-9
B.B. Shell: Trek Cast w/Cable Guides
Headlug: Trek One-Piece Cast
Seat Lug: Trek Invest. Cast
Drop-Outs: Trek Cast w/Adjustors
Special Braze-ons: Top Tube Cable Guides, Top Tube Pump Pegs, Dual Water Bottle Mounts, Chain Hanger, Shift Lever Bosses

Frame Sizes: 19" 21" 22.5" 24" 25.5"
Color: Race Blue
COMPONENTS:
Crank: Shimano N600 Forged Alloy 52/40
Derailleurs: Shimano N600 Std.
Shift Levers: Shimano N600 Braze-on
Freewheel: SunTour PN 6000 14-28 Silver
Chain: Sedisport Silver

Brakes: Shimano N600 Short Reach w/Recess and Hooded Levers
Pedals: Shimano N600 Alloy
Bar: Belleri Engraved Alloy
Stem: SR Custom Aero Alloy
Hubs: Sasansin Gyro-Master Alloy Q/R
Spokes: DT 14G Stainless
Rims: Matrix Titan 700C Alloy Hard Anodized

Tires: National Tri-Sport 700x25c Dual-Hardness
Seat Post: Sugino SP-KC Forged Alloy
Saddle: San Marco Concor
Extras: Shimano Aero Toe Clips and Christophe Straps, Alloy Water Bottle Cage w/Bottle

420**FRAME:**

Main Tubes: True Temper Chromoly Double Butted
Fork: Tange Hi-Tensile
Stays: True Temper Chromoly
Headset: Trek Std. Blk.

B.B. Shell: Nikko Special
Headlug: Trek Investment Cast
Seat Lug: Trek Cast Socket
Drop-Outs: Forged w/Adjustors
Special Braze-ons: Top Tube Cable Guides, Top Tube Pump Peg, Dual Water Bottle Mounts, Chain Hanger, Rear Rack Mounts
Frame Sizes: 19" 21" 22.5" 24" 25.5"

Color: Taupe, Scarlet
COMPONENTS:
Crank: SR CXC T-300 Forged Alloy 50/45/32
Derailleurs: Shimano Z-204 Front, Shimano Z-505GS Rear
Shift Levers: Shimano Z-401
Freewheel: Maillard 700 14-28

Helicomatic 5-spd. Silver
Chain: Sedis Delta
Brakes: Dia Compe Q500N w/Hooded Levers
Pedals: SR SP-154 Alloy
Bar: Belleri Std. Alloy
Stem: SR AH Alloy
Hubs: Atom Helicomatic Alloy Q/R

Rims: Weinmann A116 27x 1-1/4" Alloy
Tires: Trek 27x 1-1/8"
Seat Post: SR P5-E Laprade Type Forged Alloy
Saddle: Italian Leather Sport
Extras: Lapize Toe Clips & Straps, Blackburn Rear Rack

520**FRAME:**

Main Tubes: Reynolds 501 Cromalloy Double Butted
Fork: Tange Mangalloy CCL Crown w/Recess
Stays: True Temper Chromoly

Headset: Trek Pro Blk.
B.B. Shell: Trek Cast w/Cable Guides
Headlug: Trek One-Piece Cast
Seat Lug: Trek Invest. Cast
Drop-Outs: Trek Cast w/Adjustors
Special Braze-ons: Top Tube Cable Guides, Top Tube Pump Peg, Dual Water Bottle Mounts, Chain Hanger, Rear Rack Mounts, Shift Lever Bosses

Frame Sizes: 19" 21" 22.5" 24" 25.5"
Color: Cumulus Grey
COMPONENTS:
Crank: Shimano N600 Forged Alloy 50/45/32
Derailleurs: Shimano N600 Front, N600 GS Rear
Shift Levers: Shimano N600 Braze-on

Freewheel: Maillard SH-700 Helicomatic 14-28 5-spd. Silver
Chain: Sedis Delta
Brakes: Shimano N600 Std. w/Hooded Levers
Pedals: SR SP-150SE Alloy
Bar: Belleri Engraved Alloy
Stem: SR AH Alloy

Hubs: Lux-Comp Sealed Helicomatic Alloy Q/R
Rims: Rigida 13-20 700C Alloy
Tires: Trek 700x25c
Seat Post: Sugino SP-KC Forged Alloy
Saddle: San Marco Leather Tour
Extras: Lapize Toe Clips & Straps, Blackburn Rear Rack

Trek bicycles consist of component parts and materials made by Trek or purchased from sources around the world. Changes in customer demand or availability occasionally necessitate temporary or permanent substitution of parts specified. If substitution is made, the new parts will be of comparable or superior quality and performance to those originally specified. Every Trek bicycle is equipped with safety reflectors required by federal law. All specifications are subject to change without notice.